

OPERATION OF ATVs BY YOUTH

No one under 8 years of age shall operate an ATV on any state-owned property.

No person from age 8 to their 16th birthday shall operate an ATV except on lands of his parent or guardian, unless he or she has completed a prescribed ATV safety training course and received an ATV safety training certificate. Age 8 and 9 year old operators are restricted to an engine size of 70cc or less.

ATV SAFETY TRAINING COURSE

Safety training classes are given by trained volunteer instructors. All youth ages 8-15 who complete the course will receive a safety course certificate. For information on a safety instructor near you contact DCNR's Bureau of Forestry at (717) 783-7941.

ACCIDENT REPORTS

The operator of an ATV involved in an accident must stop and give his or her name and address, the name and address of the owner of the ATV and its registration number to the other person(s) involved in the accident or to a police officer.

If the accident results in the injury or death of any person or property damages to the estimated amount of \$100 or more, the operator must report the matter in writing within seven days to the DCNR, Bureau of Forestry, P.O. Box 8552, Harrisburg, PA 17105. It is a violation of the Snowmobile/ATV Law to not report the accident to the DCNR.

Accident forms are available upon request from the Bureau of Forestry and State Park offices and state police stations.

LIABILITY INSURANCE

Liability insurance coverage is required for all ATVs that are required to have general registration. Proof of this coverage should be carried by the operator. The law does not specify a minimum dollar amount for this coverage. If you have questions about insurance coverage for ATVs contact the PA Dept of Insurance consumer hotline at 1-877-881-6388.

SNOWMOBILE & ATV FUND

All registration fees are deposited in a special Snowmobile/ATV Fund. DCNR uses monies from this fund to carry out the Snowmobile/ATV registration, safety education and law enforcement requirements of the Snowmobile/ATV Law, to develop and maintain trails on public land and to encourage trail development on private land through grants.

ENFORCEMENT

All law enforcement officers in the state, including local and state police, are authorized to enforce the Snowmobile/ATV Law. Municipal and state police have enforcement authority on private land.

FINES

Failure to register your ATV or obtain liability insurance may result in a fine of \$300.

A violation of other provisions of the Snowmobile/ATV Law is punishable by a fine of \$50 to \$200 plus the cost of prosecution for a first offense, and a fine of \$100 to \$300 plus the cost of prosecution for a second offense.

EQUIPMENT

All ATVs operating in Pennsylvania must be equipped with a brake system capable of producing deceleration of 14 feet per second at a speed of 20 miles per hour, and a muffler in good working order. The sound intensity produced by an ATV may not exceed 99dba, or decibels, when measured at 20 inches from the tailpipe.

All ATVs operated during hours of darkness or when visibility is less than 500 feet must be equipped with an operating headlight and taillight. The headlight must produce a white light sufficient to reveal persons and vehicles at a distance of 100 feet. The taillight must produce a red light plainly visible during darkness from a distance of 500 feet.

HELMETS

It is illegal to operate an ATV without a securely fastened helmet on the head of the operator.

FOR REGISTRATION INFORMATION:

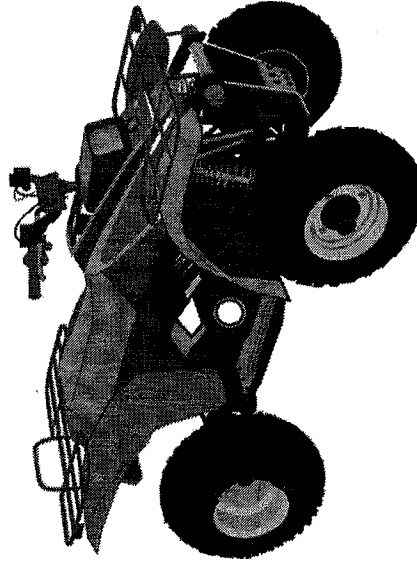
DCNR-Snowmobile/ATV Registration Section
P.O. Box 8553
Harrisburg, PA 17105-8553

Location:

9 Dogwood Lane
Middletown, PA 17057

Telephone (717) 783-9227
Tollfree (866) 545-2476

8170-PA-DCNR1517 Rev. 9/2014



Summary of

PENNSYLVANIA'S ALL-TERRAIN VEHICLE LAW

COMMONWEALTH OF PENNSYLVANIA
DEPARTMENT OF CONSERVATION AND
NATURAL RESOURCES



pennsylvania
DEPARTMENT OF CONSERVATION
AND NATURAL RESOURCES

SUMMARY OF PENNSYLVANIA'S ALL-TERRAIN VEHICLE LAW

INTRODUCTION

Pennsylvania has beautiful and challenging opportunities for all-terrain vehicle (ATV) riding. Many trails have been developed on public and private lands to accommodate this recreational pursuit.

This pamphlet summarizes the ATV requirements of state law and regulations. The state law is known as the Snowmobile and All-Terrain Vehicle Law and is contained in Chapter 77 of the PA Vehicle Code. The state regulations are in Title 17 Pa. Code Chapter 51. This pamphlet is not intended to be a substitute for the actual law and regulations.

In addition to state law and regulations, riding on municipal and private property may be further regulated by municipal ordinance.

REGISTRATION

Pennsylvania residents owning and intending to use their ATV in Pennsylvania (except those used exclusively as a farm or business vehicle) must be titled and registered with the Department of Conservation and Natural Resources (DCNR), Snowmobile/ATV Registration Section.

General Registration

This registration permits the machine to be operated off the owner or operator's private property. The registration fee is \$20 for two years. The owner is provided with a registration plate, an expiration sticker and a Certificate of Registration wallet card.

Limited Registration

This registration is for machines used exclusively on the property of the owner. There is no fee and the registration does not expire. The owner is provided with a registration plate and a card, but no expiration sticker.

All-Terrain Vehicles are defined as follows:

1. Class 1 ATV – A motorized off-highway vehicle, which travels on three or more off-highway tires and has a maximum width of 50 inches and a maximum dry weight of 1200 pounds.
2. Class 2 ATV – A motorized off-highway vehicle, which travels on three or more off-highway tires and has a width which exceeds 50 inches or a dry weight which exceeds 1200 pounds.

Applications for registration of ATVs are available from the DCNR's Snowmobile/ATV Registration Section. The ATV registration application form must be completed and sent to the DCNR, Snowmobile/ATV Registration Section, P.O. Box 8553, Harrisburg, PA 17105-8553, along with the required fee and sales tax statement. Registration applications are also available from: ATV dealers, Forest Districts and State Park Offices or download and print from the web at www.dcnr.state.pa.us/snowmobile.

Exempt from the registration requirements are ATVs owned by non-residents covered by a valid registration in their state, province or country that honors a Pennsylvania registration.

Temporary registrations are available from registered ATV dealers.

NON-RESIDENT REGISTRATION

To legally operate an ATV in Pennsylvania that is registered in another state where Pennsylvania's registration is NOT honored, the ATV must also be registered in Pennsylvania. Proof of liability insurance is also required.

TITLES

All ATVs in Pennsylvania must have a title issued by DCNR. The cost of a title is \$22.50. The only exceptions to this requirement are those ATVs registered with the Department prior to February 12, 1987. These ATVs do not require a title until they are sold by the owner.

SALE – THEFT – DESTRUCTION – CHANGE OF ADDRESS

The ATV owner shall notify the DCNR's Snowmobile/ATV Registration Section in writing of any change of address within 15 days.

Upon the transfer, destruction or theft of an ATV, the reverse side of the Certification of Registration must be properly filled out in the spaces provided, signed by the owner, and returned to the DCNR's Snowmobile/ATV Registration Section.

OPERATION

ATVs may be operated:

1. On state-owned property on clearly marked and previously designated ATV trails;
- * 2. On highways and streets when necessary to cross a bridge or culvert;
- * 3. On highways and streets during periods of emergency when so declared by a governmental agency having jurisdiction;
- * 4. On highways and streets for special ATV events of limited duration that are conducted according to a prearranged schedule under permit from the governmental unit having jurisdiction

* MUST BE 16 YEARS OF AGE OR OLDER.

An ATV may make a direct crossing of a street or two-lane highway provided:

- The crossing is made at an angle of approximately 90 degrees to the direction of the highway, and at a place where no obstruction prevents a quick and safe crossing;
- The ATV is brought to a complete stop before crossing the shoulder or highway;
- The driver yields the right-of-way to all oncoming traffic that constitutes an immediate hazard.
- In crossing a divided highway, the crossing is made only at an intersection of such highway with another public street or highway.
- Driver must be at least 16 years of age unless he has a safety certificate and is under the direct supervision of a person at least 18 years of age.

It is illegal to operate an ATV:

- On State Forest Roads open for use by licensed motor vehicles.
- At the rate of speed that is unreasonable or improper under existing conditions or in excess of the maximum limits posted for vehicular traffic;
- In a careless way so as to endanger the person or property of another;
- While under the influence of alcohol, narcotics or drugs.

Designated Roads

State and local highways and roads may be designated and posted for ATVs by the governmental authority with jurisdiction over the road.

Township roads designated for ATVs are posted with a green sign containing the side view silhouette of an ATV and rider in white.

Some roads may be designated and posted as joint-use roads open to both ATVs and licensed motor vehicles. Joint use roads are posted with signs stating that both types of vehicles may use the road. ATV operators on joint-use roads must be at least 16 years of age.

Municipal ordinances may further regulate the use of ATVs on roads within their jurisdiction.



Municipal Roads

Private Property

ATVs may not be operated on private property without the consent of the owner. Use of ATVs on private property may be further restricted by municipal ordinance.

ATV TRAILS

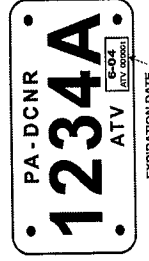
Certain trails on state forest land and the Allegheny National Forest have been designated for ATV use. ATV trail information is available from the Bureau of Forestry website at www.dcnr.state.pa.us/forestry and the Allegheny National Forest website at www.fs.fed.us/r9/forests/allegheny.

REGISTRATION NUMBERS

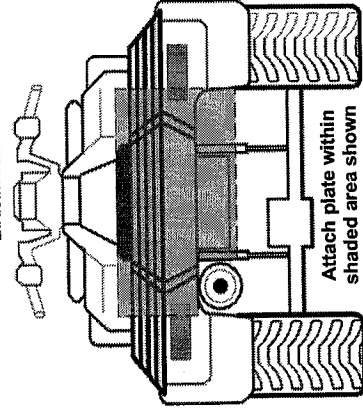
The five-digit registration number containing a combination of numbers and letters is embossed on an aluminum plate, which measures four inches in height and seven inches in width. This permanent registration plate is to be attached to the back of the machine near the center and as high as possible. **The plate must be horizontal and clearly visible from behind the ATV.** This plate remains with the ATV if it is sold or transferred to a different owner.

General Registration requires a valid expiration sticker to be attached to the plate.

REGISTRATION PLATE



EXPIRATION DATE



Attach plate within shaded area shown above.



PA DEPT OF CONSERVATION
AND NATURAL RESOURCES
SNOWMOBILE/ATV
REGISTRATION UNIT
P.O. BOX 8553
HARRISBURG, PA 17105-8553
1-866-545-2476

APPLICATION FORM:

CERTIFICATE OF TITLE

- ALL-TERRAIN VEHICLE (ATV)
- SNOWMOBILE
- DUPLICATE
- SECURITY INTEREST

REGISTRATION

- ALL-TERRAIN VEHICLE (ATV)
- SNOWMOBILE
- RENEWAL

ATV PLATE/SNOWMOBILE DECAL NUMBER

OFFICIAL USE ONLY

TYPE OR PRINT ALL INFORMATION - ATTACH PROOF OF OWNERSHIP

TAX, REGISTRATION AND TITLE FEES

A. VEHICLE	MAKE OF VEHICLE	SERIAL NUMBER (VIN)	YEAR MFG	1. PURCHASE PRICE	
	MODEL NAME AND NUMBER		DATE OF PURCHASE	2. LESS TRADE IN (COMPLETE BLOCK A)	
	TRADE IN INFORMATION - INCLUDING VIN			3. TAXABLE AMOUNT	
B. PURCHASER	LAST NAME (OR FULL BUSINESS NAME) OWNER	FIRST NAME	MIDDLE INITIAL	4. x 6% (.06) SALES TAX x 7% .07 ALLEGHENY x 8% .08 PHILA (SEE REVERSE)	
	CO-OWNER			5. LESS TAX CREDIT	
	P.O. BOX NO.	COUNTY		6. SALES TAX DUE	
	STREET			7. APPLICANT'S SALES TAX LICENSE NUMBER	
	CITY	STATE	ZIP CODE	8. EXEMPTION CODE (SEE REVERSE)	
C. SECURITY	IF NO SECURITY INTEREST, CHECK <input type="checkbox"/>			9. SECURITY INTEREST FEE	
	FIRST SECURED PARTY	SECOND SECURED PARTY		10. REGISTRATION FEE	
				11. TITLE FEE OR DUPLICATE TITLE FEE	
				12. GRAND TOTAL	
D.	TEMPORARY REGISTRATION NUMBER	DATE ISSUED	DEALER NUMBER		

TEMPORARY REGISTRATION IS GOOD FOR 45 DAYS FROM DATE ISSUED

E.	ATV	<ul style="list-style-type: none"> • IS THERE A DCNR REGISTRATION PLATE DISPLAYED ON YOUR ATV? <input type="checkbox"/> YES REG. NO. _____ <input type="checkbox"/> NO • IS THERE A DCNR REGISTRATION DECAL DISPLAYED ON YOUR SNOWMOBILE? <input type="checkbox"/> YES REG. NO. _____ <input type="checkbox"/> NO
	<input type="checkbox"/> CLASS I - Max. width 50", max. dry wt. 1,200 lbs. <input type="checkbox"/> CLASS II - Width over 50", dry wt. over 1,200 lbs. <input type="checkbox"/> SNOWMOBILE	

F.	<input type="checkbox"/> REGISTRATION (regular) - Snowmobile/ATV is used off land owned or leased by owner or operator of snowmobile/ATV.
	<input type="checkbox"/> LIMITED REGISTRATION - Snowmobile/ATV is used <u>only</u> on land owned or leased by owner or operator of snowmobile/ATV.

G.	I (WE) CERTIFY THAT I (WE) HAVE EXAMINED THIS FORM AFTER ITS COMPLETION ; AND THAT, IF AN EXEMPTION FROM THE PAYMENT OF TAX IS CLAIMED, I AM (WE ARE) AUTHORIZED TO CLAIM THIS EXEMPTION. I (WE) FURTHER CERTIFY THAT ALL STATEMENTS HEREIN ARE TRUE AND CORRECT UNDER PENALTY OF LAW.	
	OWNER X	TELEPHONE NUMBER ()
	OWNER X	TELEPHONE NUMBER ()

SEE REVERSE SIDE

**EXEMPTION
CODES**

EXEMPTION REASON

1. Vehicle acquired by a Snowmobile or ATV Dealership for the purpose of resale. Insert Sales Tax license number in block number 7 on reverse side.
2. Vehicle acquired by applicant for rental or lease. (Insert applicant's Sales Tax license number in block number 7 on reverse side.)
3. Vehicle transferred between husband and wife. (Exemption is not permitted unless transferor holds Pennsylvania title and/or registration.)
4. Vehicle transferred by an executor, administrator or trustee under a will or trust agreement.
5. Vehicle brought into Pennsylvania by a nonresident in connection with the establishment of a permanent business or residence. (Requires proof of out-of-state residence.)
6. Vehicle transferred to applicant without consideration or value. Consideration includes the amount of any existing encumbrance or other obligation assumed in connection with the transfer.
7. Vehicle will be used exclusively by the applicant in his/her farming operation/business. **(Exemption not permitted if applicant obtains registration for vehicle.)**
8. Vehicle purchased out of state by a nonresident applicant for use in Pennsylvania **(Exemption is not permitted if applicant is a resident or if vehicle was originally purchased in Pennsylvania.)**
9. All vehicles being sold in Allegheny County must be charged the 7% Sales Tax. All vehicles being sold in Philadelphia County must be charged the 8% Sales Tax.

TAX CREDIT

If applicable tax was paid at time of purchase from dealer, insert amount in block number 5 and attach copy of sales invoice and cancelled check. (If vehicle paid with cash, submit copy of receipt.)

Send completed application and check to:

**DEPARTMENT OF CONSERVATION AND NATURAL RESOURCES
SNOWMOBILE/ATV REGISTRATION SECTION
POST OFFICE BOX 8553
HARRISBURG, PA 17105-8553**

**COMMONWEALTH OF PENNSYLVANIA
DEPARTMENT OF CONSERVATION AND NATURAL RESOURCES
SNOWMOBILE/ATV UNIT**

**AFFIDAVIT OF OWNERSHIP
(Bill of Sale/Gift Form)**

I/WE _____
NAME OF PURCHASER/RECIPIENT

_____ STREET ADDRESS PHONE

_____ CITY STATE ZIP CODE

PURCHASED FROM _____
NAME OF SELLER/DONOR

_____ STREET ADDRESS PHONE

_____ CITY STATE ZIP CODE

THE ATV/SNOWMOBILE LISTED BELOW:

MODEL	YEAR	MAKE OF VEHICLE	VEHICLE IDENTIFICATION NUMBER

Purchase Price: \$ _____ Date of Purchase: _____
(List Purchase Price or Gift)

I hereby state under penalty of the Pennsylvania Crimes Code, 18 Pa.C.S. Sections 4902 (relating to perjury) and 4903 (relating to false swearing) that all information in this Affidavit of Ownership is true and correct to the best of my knowledge, information and belief.

(Signature of New Owner) Date

(Signature of Co-Owner) Date

COMMONWEALTH OF PENNSYLVANIA

Subscribed and sworn to before me

County of _____

This _____ day of _____,

NOTARY PUBLIC

Laws & Legal Resources.

[View the 2019 Pennsylvania Consolidated Statutes](#) | [View Other Versions of the Pennsylvania Consolidated Statutes](#)

2010 Pennsylvania Code

Title 75 - VEHICLES

Chapter 77 - Snowmobiles and All-Terrain Vehicles

7711.1 - Registration of snowmobile or ATV.

§ 7711.1. Registration of snowmobile or ATV.

(a) **General rule.**--Except as otherwise provided in subsection (f), it is unlawful for a person to operate or for an owner to permit another person to operate a snowmobile or an ATV unless:

(1) There is carried on the snowmobile or ATV a valid registration certificate issued therefor pursuant to subsection (b).

(2) There is displayed on the snowmobile a registration decal, or on the ATV a registration plate, issued therefor pursuant to subsection (b).

(3) The display of the registration decal or plate is in the manner prescribed by the department.

(4) There is displayed on the snowmobile or ATV a valid expiration sticker issued therefor pursuant to subsection (b).

(5) The display of the expiration sticker is in the manner prescribed by the department.

(b) Issuance.--Upon receipt of an application therefor upon a form prescribed and furnished by the department which shall contain information reasonably required by the department and which shall be accompanied by the required fee, the department shall issue to the owner of a snowmobile or ATV:

(1) A biennial registration certificate containing the registration number for the snowmobile or ATV and the expiration date of the registration.

(2) A registration decal displaying the registration number for a snowmobile or a registration plate displaying the registration number for an ATV.

(3) A biennial expiration sticker displaying the expiration date of the registration.

(c) Temporary registration.--Temporary registration for a period not to exceed 45 days may be issued by a dealer as prescribed by the department. Proof of temporary registration shall be carried and displayed as prescribed by the department.

(d) Expiration of registration.--

(1) Except as provided in paragraph (2), a registration certificate and an expiration sticker shall expire effective the day after the expiration date appearing on the registration certificate and expiration sticker.

(2) Upon transfer of ownership of a snowmobile or ATV during a registration period, the registration certificate and expiration sticker shall expire. The transferor shall, within 15 days from the date of transfer, return to the department the registration certificate with the date of transfer and the name and address of the new owner endorsed on the back. If the transferor applies for registration of a different snowmobile or ATV and pays the required transfer fee, the transferor may be issued in the name of the transferor a registration certificate and expiration sticker for that snowmobile or ATV for the remainder of the registration period without payment of a registration fee. The registration decal or plate shall not be removed from a snowmobile or ATV upon transfer to the new owner and is

invalid until the new owner is issued a registration certificate or limited registration certificate for the snowmobile or ATV.

(3) An expired general registration certificate and an expired expiration sticker are invalid.

(e) **Suspension or revocation.**--If a person violates this chapter or is convicted of any offense under this chapter, the department may suspend or revoke a registration certificate and an expiration sticker. A suspended or revoked registration certificate or expiration sticker is invalid.

(f) **Exemptions from registration.**--Subsection (a) does not apply if:

(1) The snowmobile or ATV is owned by or in the possession of a dealer who has been issued a dealer registration certificate, dealer registration plates and dealer plate registration cards under section 7711 (relating to registration of dealers), the dealer is in compliance with section 7711 and the snowmobile or ATV is used in accordance with section 7711.

(2) The snowmobile or ATV is owned and used by the United States or another state or a political subdivision thereof, in which case the snowmobile or ATV shall display the name of the owner in a manner prescribed by the department.

(3) The snowmobile or ATV is operated on land owned or leased by the owner or operator of the snowmobile or ATV and it is not operated elsewhere within this Commonwealth.

(4) The owner of the snowmobile or ATV is not a resident of this Commonwealth and the operator presents proof that the snowmobile or ATV has been properly registered in another jurisdiction that exempts from its registration requirements persons who have obtained proper registration under this chapter.

(June 25, 2001, P.L.701, No.68, eff. 120 days)

2001 Amendment. Act 68 added section 7711.1.

Cross References. Section 7711.1 is referred to in sections 7711.2, 7715.2, 7752 of this title.

Disclaimer: These codes may not be the most recent version. Pennsylvania may have more current or accurate information. We make no warranties or guarantees about the accuracy, completeness, or adequacy of the information contained on this site or the information linked to on the state site. Please check official sources.

TWPOA Registration of ATV'S and Snowmobiles

Date _____

I _____ do hereby and hereto swear that all persons operation this ATV/Snowmobile are doing so at their own risk and with my permission and have adhered to and complied with requirements and state law regulations as contained in Chapter 77 of PA Vehicle code. The state regulations are in Title 17 PA code Chapter 51. All ATV/Snowmobiles shall comply with Rules and Regulation of TWPOA General section h.

Lot # _____

Copy of PA Registration and Number _____

Property owner signature _____